

300-036
5 NAUTICAL MILES
225° MASTHEAD LIGHT
SINGLE, HORIZONTALLY MOUNTED

The LED light consists of a cluster of LEDs that produces light in the specified angle.

The precision machined 6082 aluminium housing with an anodized surface makes the light a rugged and durable housing for the LEDs and electronics contained within.

The interior is completely filled with a special potting resin making it water- and vibration proof.

Produced in our in-house manufacturing facility to meet and exceed exacting standards such as EN14744 and UL1104, under a quality management system continuously surveyed by Lloyds Register Quality Assurance.

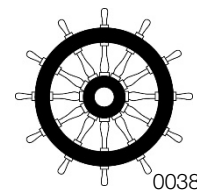
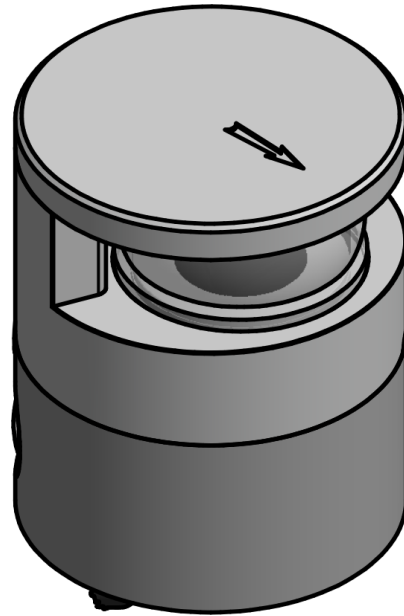
Each light is subjected to final testing for a minimum of 16 hours of continuous operation bringing the total test time beyond 24 hours.

This navigation light is in compliance with the following standards:

- COLREG72
- EN14744
- IEC 60945
- USCG (UL1104)

Together with an appropriate Control & Monitoring System, such as Lopolight's own NLC* this navigation light can form part of an IMO MSC 253(83), LY3 and LY4 compliant system.

*) information found here: www.lopolight.com/NlcPanel



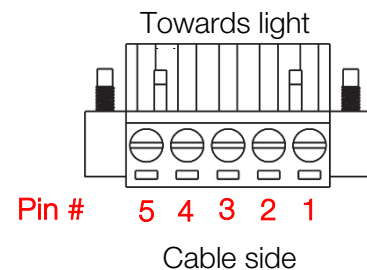
Technical specifications

Vessel size: 20m - 50m (65' - 164')
 Visibility: >5 nautical miles
 Intensity: >52 cd
 Power consumption; 7,2 Watt; Current @ 24 VDC: 0,3A
 Operating voltage: 22 - 32 V DC
 Number of LEDs: 6
 Light colour: **White**
 Operating temperature: -25°C to +55°C
 IP Rating: **IP68**
 Mounting: **Horizontal**, see K-Lock sheet for options

Connection: 4 M20x1.5 thread borings for cable glands located on the side and bottom (see drawing for details).

Cabling: 1 cable consisting of 2 x 0,5 mm² leads, a screen and insulation.

- Pin 1 - Red lead = Power
- Pin 2 - Black lead = GND
- Pin 3 - No lead = Not used
- Pin 4 - No lead = Not used
- Pin 5 - No lead = Not used



Certification: The product is certified by Lloyds (LR) and certificates can be found on www.lopolight.com under certificates.

The product is in compliance with the following standard(s):
 COLREG72 / EN14744 / IEC 60945 / USCG / UL1104

Dimensions: **See drawing**

Weight: 1,12kg

Included in the standard package:

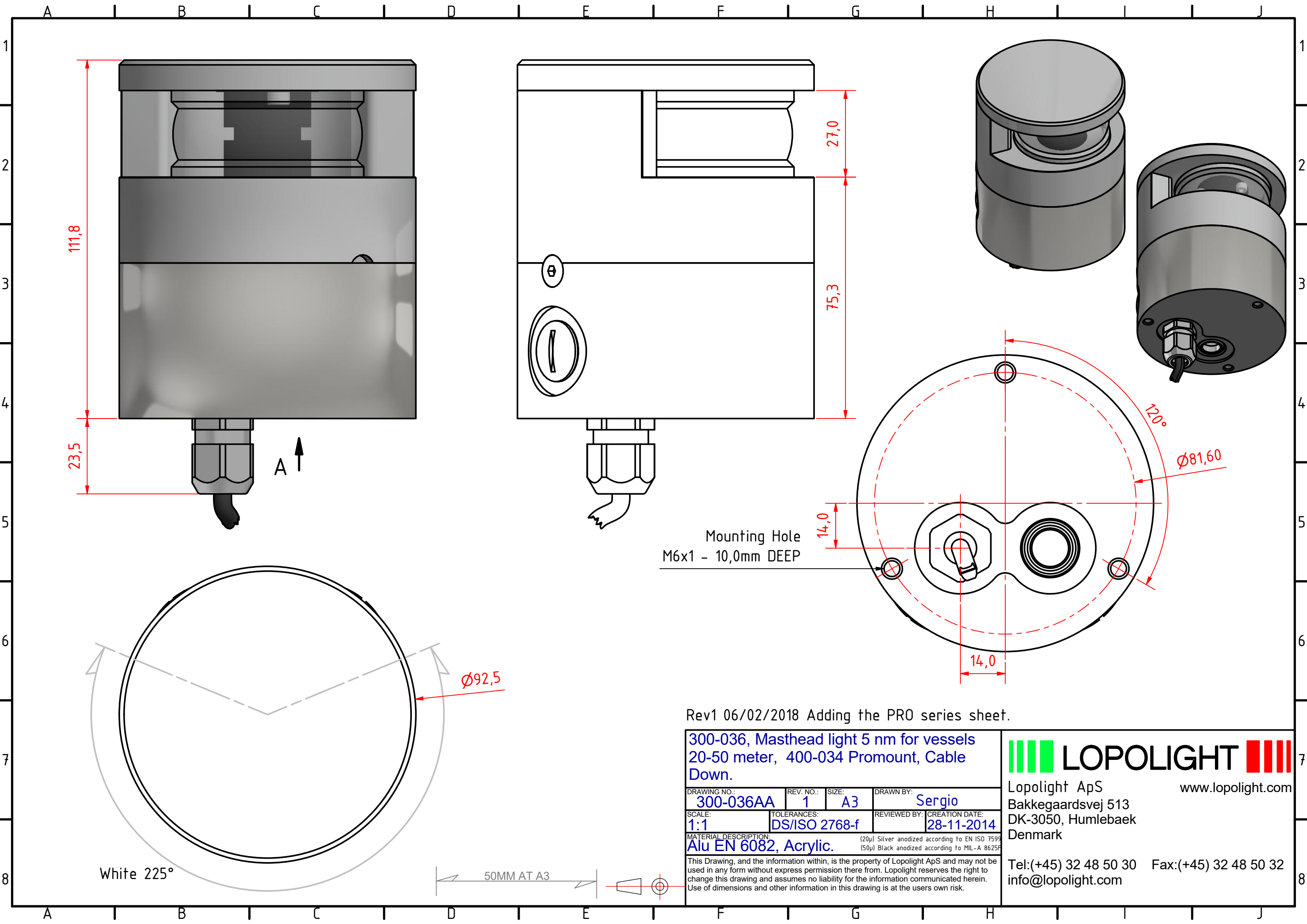
- 1 pc. Navigation light on 400-034 aluminium base
- 1 pc. HDPE base plate
- 3 pcs. M6x14 screw
- 1 pc. M20x1.5 cable gland (cable diameter 7 – 13mm)
- 3 pcs. M20x1.5 blinding cap
- 1 pc. Connector plug, 5 PIN
- Installation instructions

Ordering information

BASE OPTION	PART NUMBER SILVER FINISH	PART NUMBER BLACK FINISH
400-034 (drawing A - D) CSCD base	300-036	300-036-B
400-035 (drawing E F) CD base	300-036-CD	300-036-B-CD

Cabling options

Cable length	Part number
2m / 6.6' 2-lead cable with connector	400-300-2M
4m / 13.1' 2-lead cable with connector	400-300-4M
6m / 19.7' 2-lead cable with connector	400-300-6M
10m / 32.8' 2-lead cable with connector	400-300-10M
12m / 39.4' 2-lead cable with connector	400-300-12M
15m / 49.1' 2-lead cable with connector	400-300-15M
20m / 65.6' 2-lead cable with connector	400-300-20M



Rev1 06/02/2018 Adding the PRO series sheet.

300-036, Masthead light 5 nm for vessels 20-50 meter, 400-034 Promount, Cable Down.			
DRAWING NO.: 300-036AA	REV. NO.: 1	SIZE: A3	DRAWN BY: Sergio
SCALE: 1:1	TOLERANCES: DS/ISO 2768-f	REVIEWED BY:	CREATION DATE: 28-11-2014
MATERIAL DESCRIPTION: Alu EN 6082, Acrylic.			

This Drawing, and the information within, is the property of Lopolight ApS and may not be used in any form without express permission there from. Lopolight reserves the right to change this drawing and assumes no liability for the information communicated herein. Use of dimensions and other information in this drawing is at the users own risk.

LOPOLIGHT

Lopolight ApS www.lopolight.com

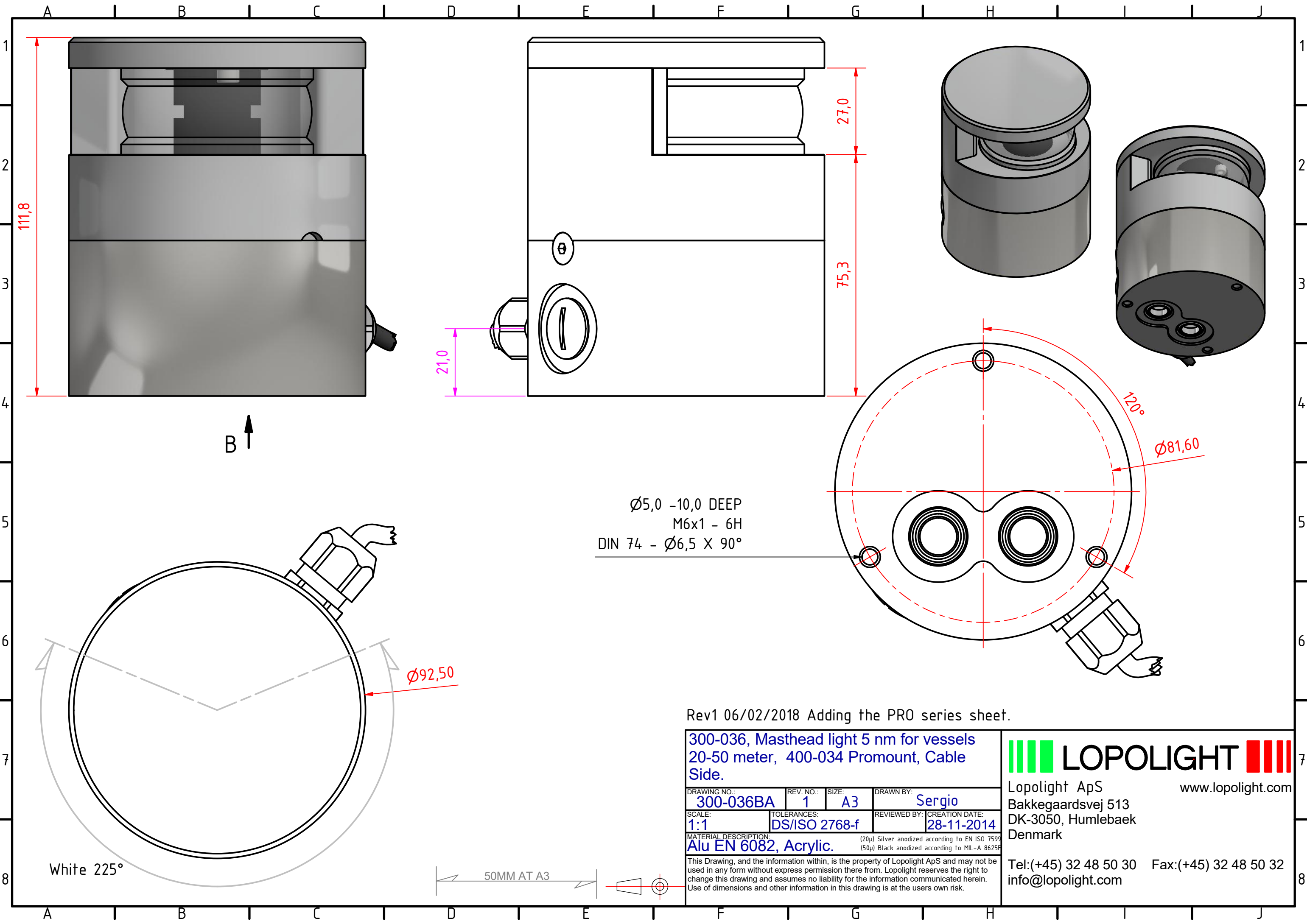
Bakkegaardsvej 513

DK-3050, Humlebaek

Denmark

Tel: (+45) 32 48 50 30 Fax: (+45) 32 48 50 32

info@lopolight.com



$\text{Ø}5,0 -10,0 \text{ DEEP}$
 $\text{M}6 \times 1 - 6\text{H}$
 $\text{DIN } 74 - \text{Ø}6,5 \times 90^\circ$

Rev1 06/02/2018 Adding the PRO series sheet.

300-036, Masthead light 5 nm for vessels
20-50 meter, 400-034 Promount, Cable
Side.

DRAWING NO.: 300-036BA	REV. NO.: 1	SIZE: A3	DRAWN BY: Sergio
SCALE: 1:1	TOLERANCES: DS/ISO 2768-f	REVIEWED BY:	CREATION DATE: 28-11-2014

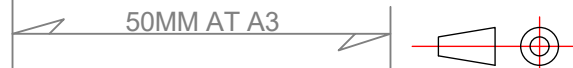
MATERIAL DESCRIPTION:
Alu EN 6082, Acrylic. (20µ) Silver anodized according to EN ISO 7599
 (50µ) Black anodized according to MIL-A 8625F

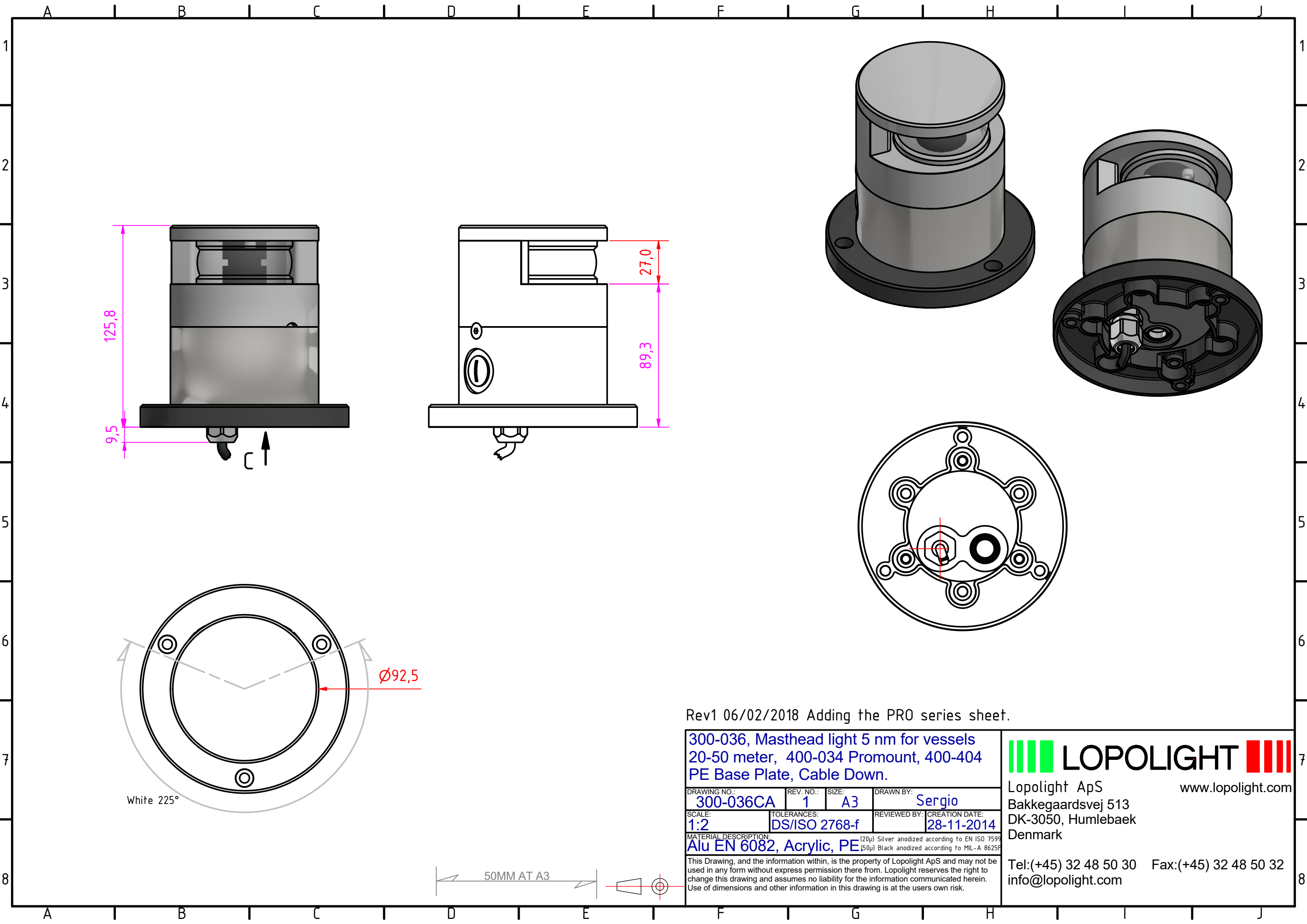
This Drawing, and the information within, is the property of Lopolight ApS and may not be used in any form without express permission there from. Lopolight reserves the right to change this drawing and assumes no liability for the information communicated herein. Use of dimensions and other information in this drawing is at the users own risk.



Lopolight ApS
 Bakkegaardsvej 513
 DK-3050, Humlebaek
 Denmark
www.lopolight.com

Tel:(+45) 32 48 50 30 Fax:(+45) 32 48 50 32
info@lopolight.com





Rev1 06/02/2018 Adding the PRO series sheet.

**300-036, Masthead light 5 nm for vessels
20-50 meter, 400-034 Promount, 400-404
PE Base Plate, Cable Down.**

DRAWING NO.: 300-036CA	REV. NO.: 1	SIZE: A3	DRAWN BY: Sergio
SCALE: 1:2	TOLERANCES: DS/ISO 2768-f	REVIEWED BY:	CREATION DATE: 28-11-2014

MATERIAL DESCRIPTION:
Alu EN 6082, Acrylic, PE (20µ) Silver anodized according to EN ISO 7599
(50µ) Black anodized according to MIL-A 8625F

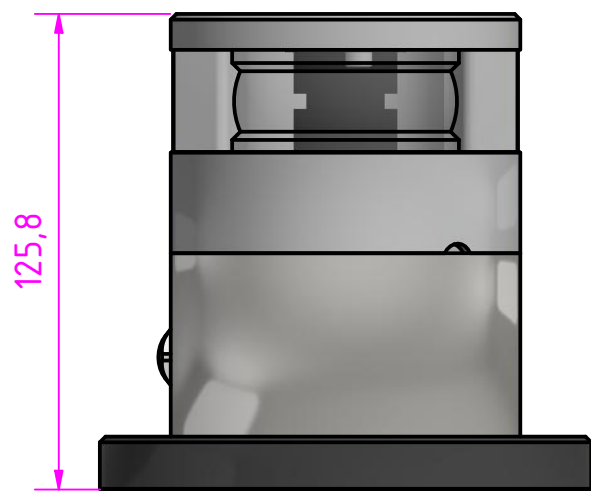
This Drawing, and the information within, is the property of Lopolight ApS and may not be used in any form without express permission there from. Lopolight reserves the right to change this drawing and assumes no liability for the information communicated herein. Use of dimensions and other information in this drawing is at the users own risk.



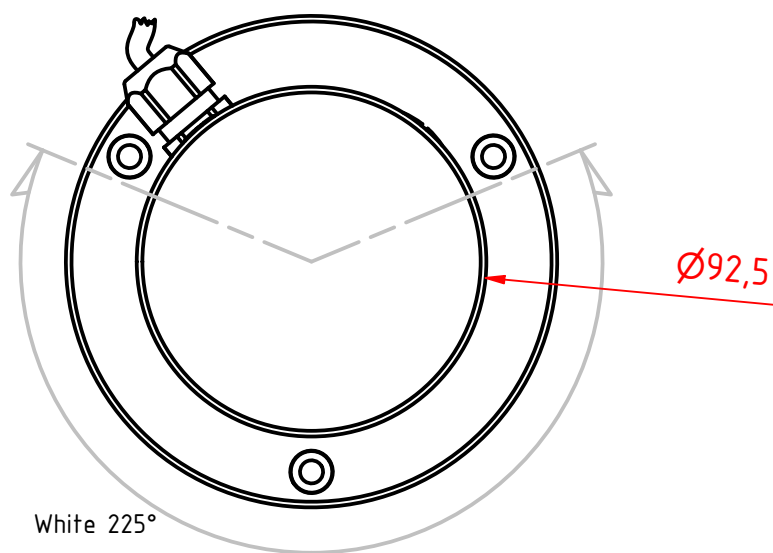
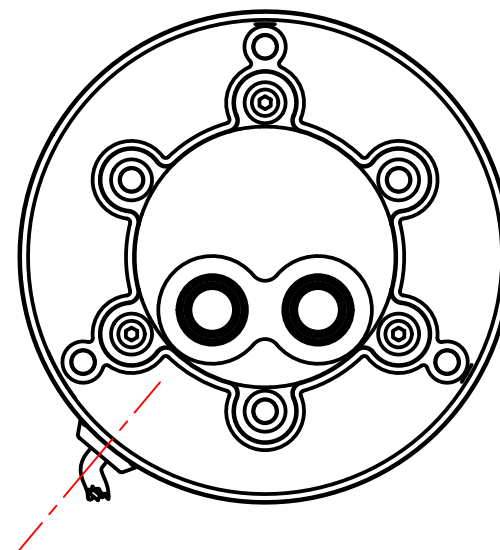
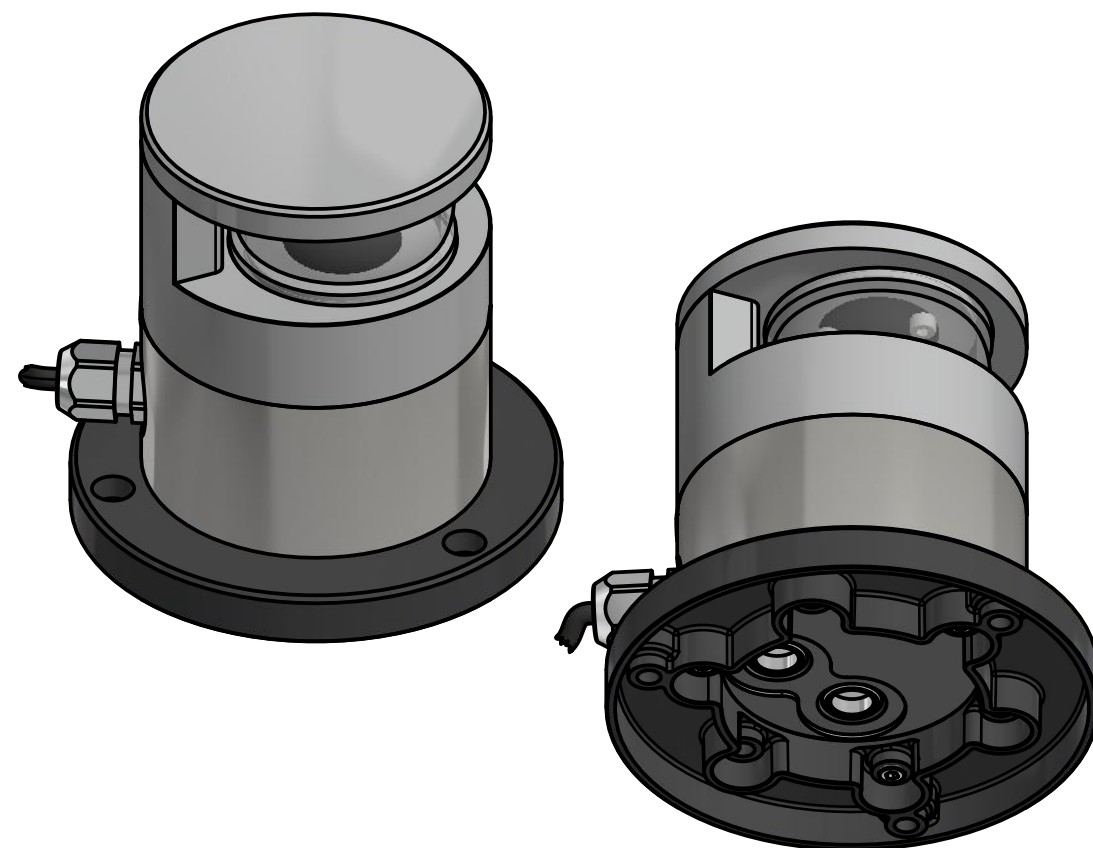
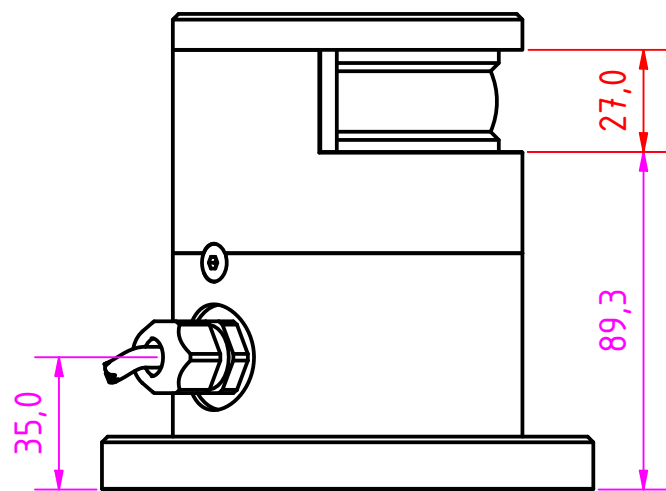
Lopolight ApS www.lopolight.com
Bakkegaardsvej 513
DK-3050, Humlebaek
Denmark

Tel:(+45) 32 48 50 30 Fax:(+45) 32 48 50 32
info@lopolight.com





D ↑



Rev1 06/02/2018 Adding the PRO series sheet.

**300-036, Masthead light 5 nm for vessels
20-50 meter, 400-034 Promount, 400-404
PE Base Plate, Cable Side.**

DRAWING NO.: 300-036DA	REV. NO.: 1	SIZE: A3	DRAWN BY: Sergio
SCALE: 1:1	TOLERANCES: DS/ISO 2768-f	REVIEWED BY:	CREATION DATE: 28-11-2014

MATERIAL DESCRIPTION:
Alu EN 6082, Acrylic, PE (20µ) Silver anodized according to EN ISO 7599
(50µ) Black anodized according to MIL-A 8625F

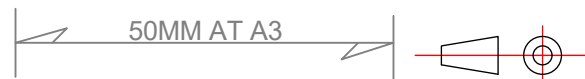
This Drawing, and the information within, is the property of Lopolight ApS and may not be used in any form without express permission there from. Lopolight reserves the right to change this drawing and assumes no liability for the information communicated herein. Use of dimensions and other information in this drawing is at the users own risk.

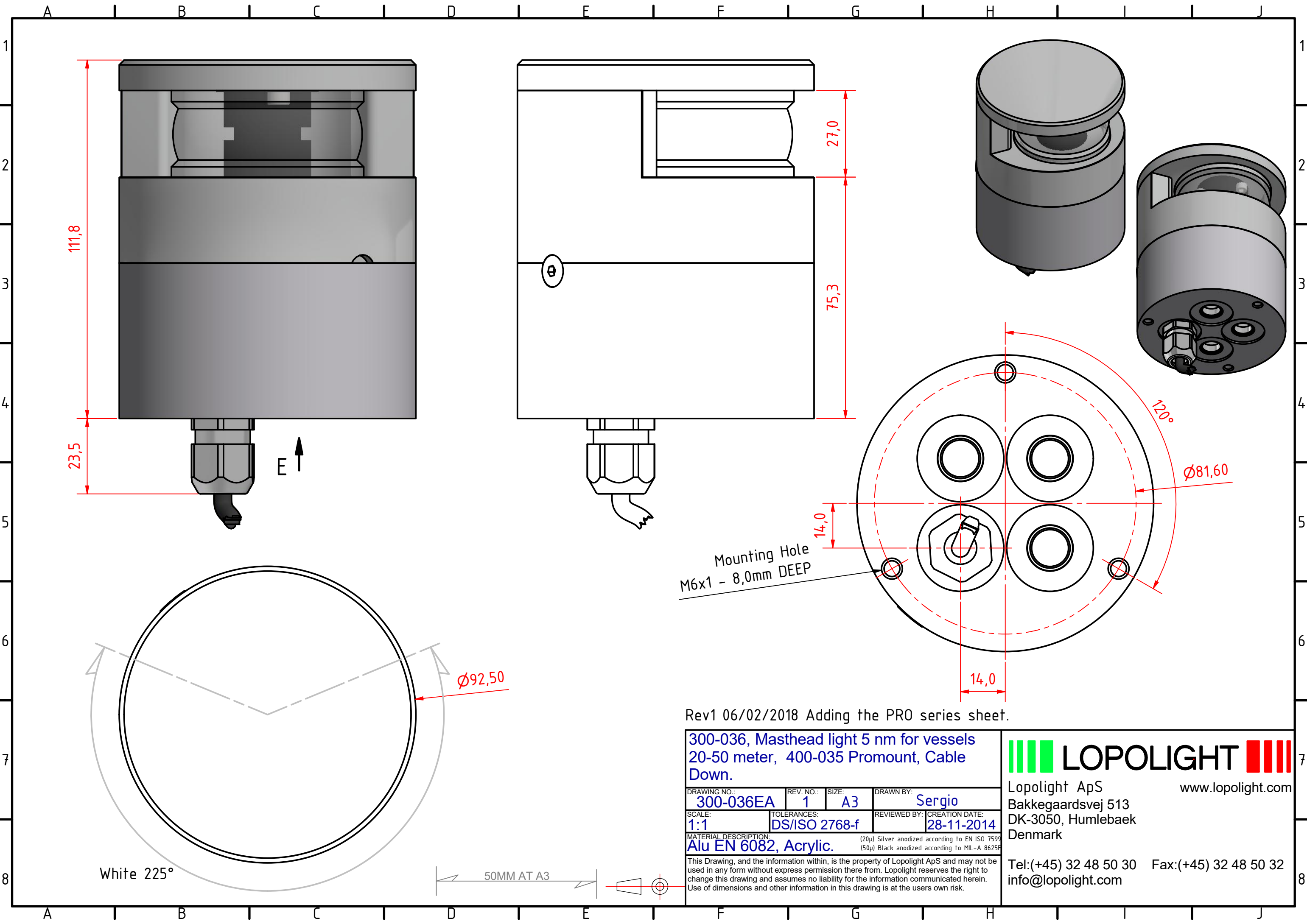


Lopolight ApS
Bakkegaardsvej 513
DK-3050, Humlebaek
Denmark

www.lopolight.com

Tel: (+45) 32 48 50 30 Fax: (+45) 32 48 50 32
info@lopolight.com





Rev1 06/02/2018 Adding the PRO series sheet.

**300-036, Masthead light 5 nm for vessels
20-50 meter, 400-035 Promount, Cable
Down.**

DRAWING NO.: 300-036EA	REV. NO.: 1	SIZE: A3	DRAWN BY: Sergio
SCALE: 1:1	TOLERANCES: DS/ISO 2768-f	REVIEWED BY:	CREATION DATE: 28-11-2014

MATERIAL DESCRIPTION:
Alu EN 6082, Acrylic.

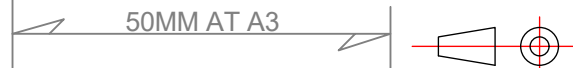
This Drawing, and the information within, is the property of Lopolight ApS and may not be used in any form without express permission there from. Lopolight reserves the right to change this drawing and assumes no liability for the information communicated herein. Use of dimensions and other information in this drawing is at the users own risk.

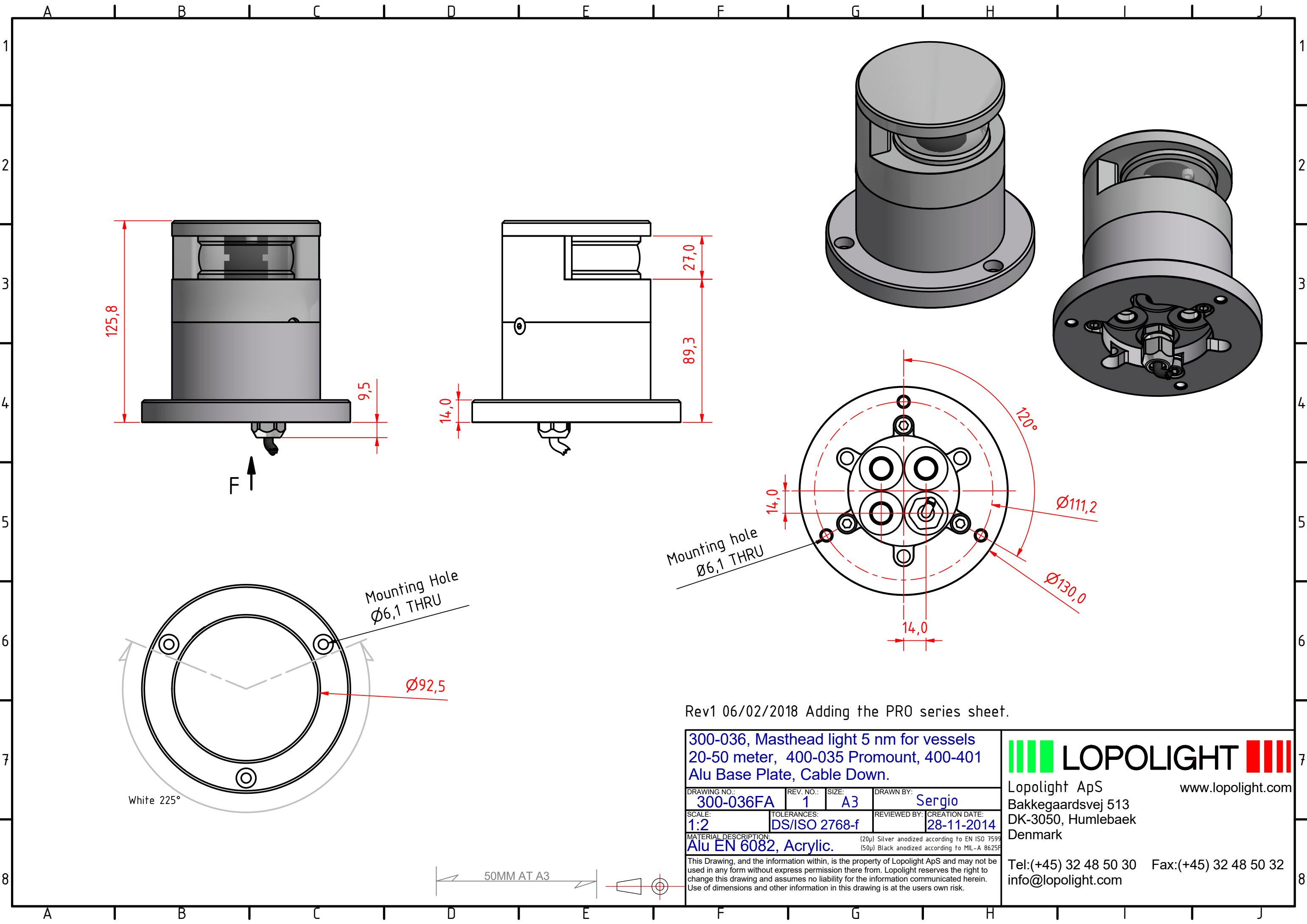
LOPOLIGHT

Lopolight ApS
Bakkegaardsvej 513
DK-3050, Humlebaek
Denmark

www.lopolight.com

Tel:(+45) 32 48 50 30 Fax:(+45) 32 48 50 32
info@lopolight.com





Rev1 06/02/2018 Adding the PRO series sheet.

**300-036, Masthead light 5 nm for vessels
20-50 meter, 400-035 Promount, 400-401
Alu Base Plate, Cable Down.**

DRAWING NO.: 300-036FA	REV. NO.: 1	SIZE: A3	DRAWN BY: Sergio
----------------------------------	-----------------------	--------------------	----------------------------

SCALE: 1:2	TOLERANCES: DS/ISO 2768-f	REVIEWED BY:	CREATION DATE: 28-11-2014
----------------------	-------------------------------------	--------------	-------------------------------------

MATERIAL DESCRIPTION:
Alu EN 6082, Acrylic. (20µ) Silver anodized according to EN ISO 7599
(50µ) Black anodized according to MIL-A 8625F

This Drawing, and the information within, is the property of Lopolight ApS and may not be used in any form without express permission there from. Lopolight reserves the right to change this drawing and assumes no liability for the information communicated herein. Use of dimensions and other information in this drawing is at the users own risk.



Lopolight ApS
Bakkegaardsvej 513
DK-3050, Humlebaek
Denmark

Tel:(+45) 32 48 50 30 Fax:(+45) 32 48 50 32
info@lopolight.com

